



ABSOLUTE COMBUSTION™

ACI-SM1000



DESCRIPTION

The ACI-SM1000 trailer mounted diesel aircraft cabin heater supplies warm, clean pressurized air for single aisle aircraft for 180 passengers and ensures onboard plumbing components do not freeze. Connection to the aircraft is made with a standard 30 foot x 12 inch aircraft hose with a 12 inch to 8 inch reducing coupler.

Thermal energy is provided by our patented burner (250,000 BTU/hr) as diesel fuel is ignited with pressurized air producing no carbon monoxide in the exhaust stream. A specially designed air to air heat exchanger transfers heat from the exhaust gases to the cabin air stream. As a result, our heater competes favorably with other heaters with burners rated at 500,000 BTU/hr or higher. Our near flameless burner is both very safe and efficient.

DESIGN FEATURES

- Efficient heating – heats cabin in less time than conventional units
- Fuel Savings – consumes 50 to 70% less fuel than conventional units
- Remote monitoring – to prove efficiency and ensure smooth operation
 - Large doors - easy access for servicing
 - Storage area – for aircraft hose and adapter
 - Single push button start
 - Galvanized steel construction – to withstand environmental elements

OPTIONS

30 foot x 12 inch aircraft hose with 12 inch to 8 inch adapter

CONTACT

PHONE: 1-403-277-2297

EMAIL: INFO@ABSOLUTECombustion.COM

WEBSITE: WWW.ABSOLUTECombustion.COM



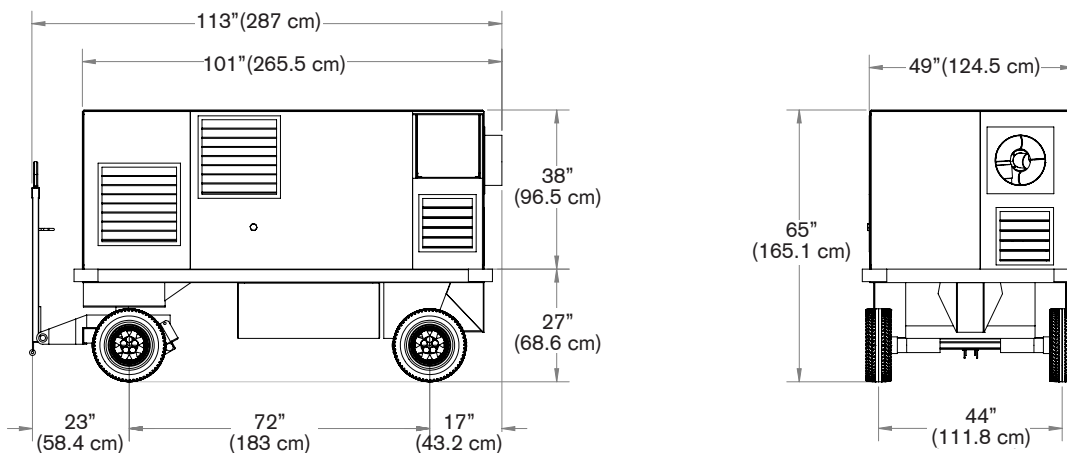
ABSOLUTE COMBUSTION™

ACI-SM1000

DESIGN SPECIFICATIONS

Engine Type	20 HP Diesel
Heating Capacity (BTU/hr)	250,000 (73kW)
Minimum Ambient Temperature	-50 °C (-58 °F)
Air Temperature Delivery	40 °C (104 °F)
Static Air Pressure (Gauge)	15 inches of water (0.038 kg/cm²)
Fuel Tank Capacity	36 US Gallons/ 136 Liters
Mass flow rate of Air	143 lb/min (65 kg/min)
Weight	3100 lbs (1409 kg)

DIMENSIONS



Note: Specifications may change. Contact ACI for more details.

CERTIFICATIONS

- CAN/CSA-B149.1 – Natural Gas and Propane Installation Code
- CAN/CSA-B149.3-15 Code for the Field Approval of Fuel Related Components on Appliances and Equipment
- CSA STD C22.1-15 Canadian Electrical Code, Part I Safety Standard for Electrical Installations